



# Bronze<sup>BX</sup> series

o w n e r s   m a n u a l







## CONTENTS PAGE

Introduction .....	3
Positioning .....	4
AV Positioning .....	4
2 Channel Positioning .....	7
Setting up the BX-FX .....	7
Plinth Fixing .....	8
Spikes and Feet .....	8
Grilles .....	9
Fixing the BX-FX to a Wall .....	9
Port Bungs .....	10
Specifications .....	11
Owner Information .....	12





## INTRODUCTION

This is Bronze BX, Monitor Audio's most affordable speaker range. Blending the best of its award-winning predecessors with advanced technologies from our up-market RX and flagship Platinum ranges, Bronze BX far exceeds the standards of performance and quality you'd normally expect from an 'entry level' range.

By using ever more accurate computer simulations and introducing still more refined materials and structures, we've fine-tuned our acclaimed Bronze Reference range to a new industry high, developing its astonishingly precise and naturally dynamic sound to place its successor, Bronze BX, on a level way beyond the capabilities of many more expensive rivals.

In Bronze BX the benefits of our ceaseless search for audio purity are dedicated to your enjoyment of music and film audio. And BX is engineered for stunning aesthetic results as well. By harvesting greater accuracy and efficiency from comprehensive test and measurement data, our in-house teams have created a beautiful union of breathtaking fidelity and slender lifestyle design that represents the truest spirit of Monitor Audio. Paradoxically for an entry level range, Bronze BX is a class apart.

Resplendent in a stunning Natural Oak, Rosemah, Walnut or black oak vinyl furniture finish and built with the accuracy that exemplifies the Monitor Audio brand world-wide, the seven slender Bronze BX models will look gorgeous in any room. Their understated elegance hides a sophisticated ergonomic design, which includes multi-chamber cabinet structures to optimise driver performance, high quality connections for ease-of-use and perfect signal transfer and discreet precision-machined footings for excellent stability.



## POSITIONING

### AV Positioning

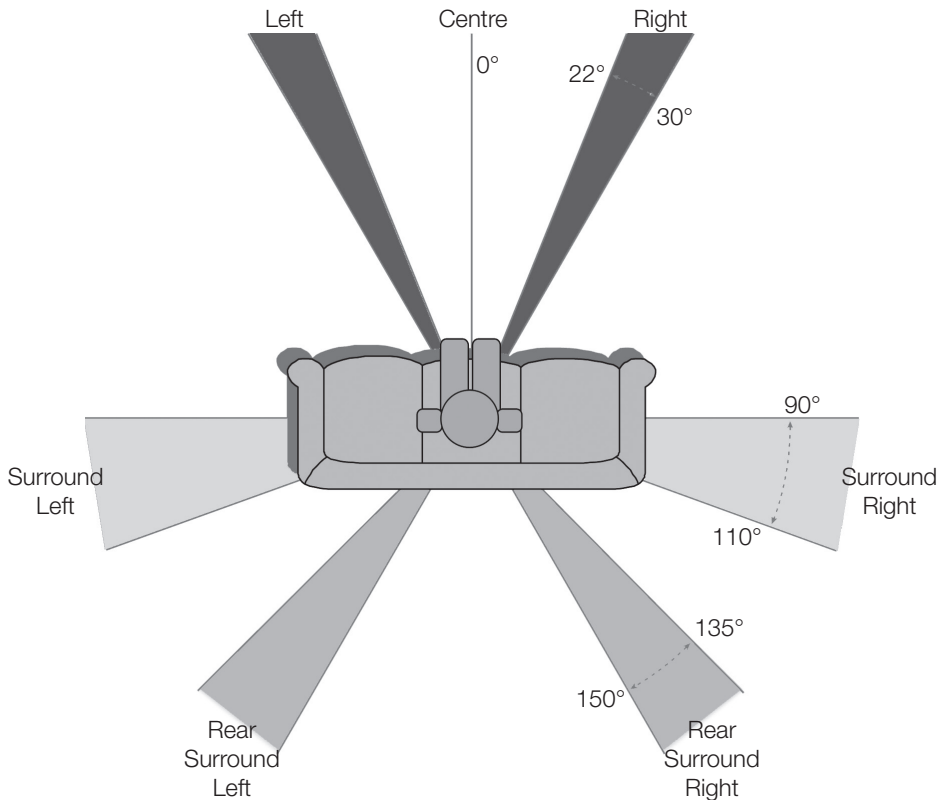
In the following pages, there are illustrations showing optimal positioning and some suggested room layouts for AV applications. For advice on configuring a 2 channel system, please refer to page 7.

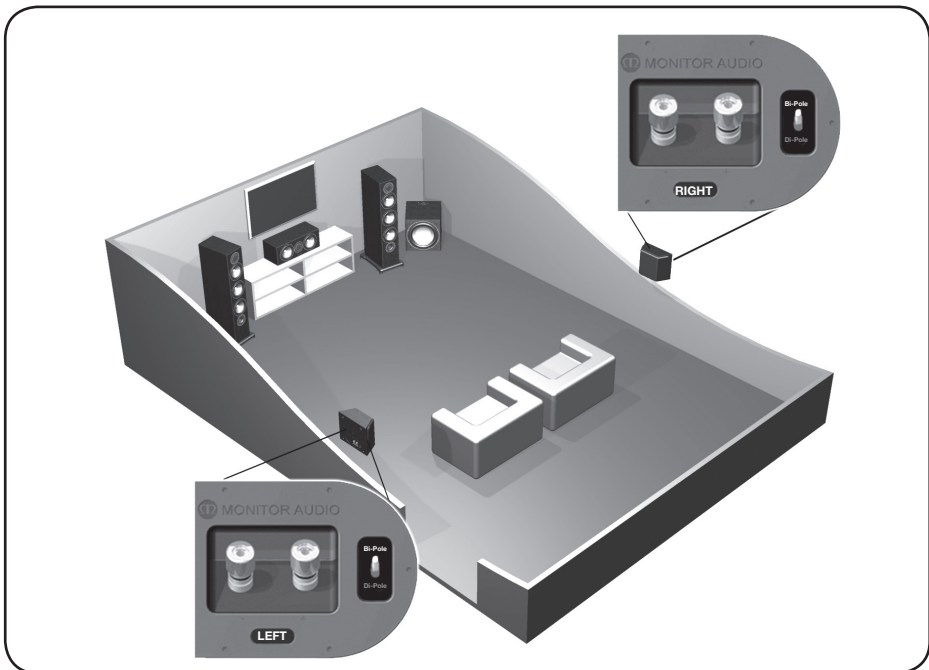
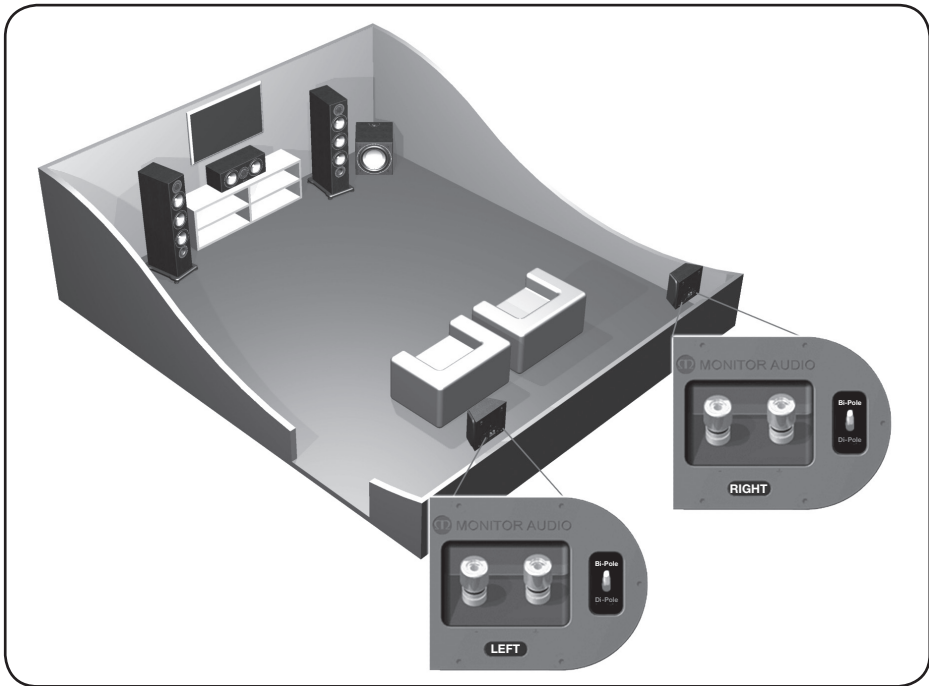
The front, and in some cases rear, floor standing and stand mount speakers should be positioned approx 6 - 9 feet apart (1.8m - 2.5m) and start with them about 10 inches (25cm) from the wall.

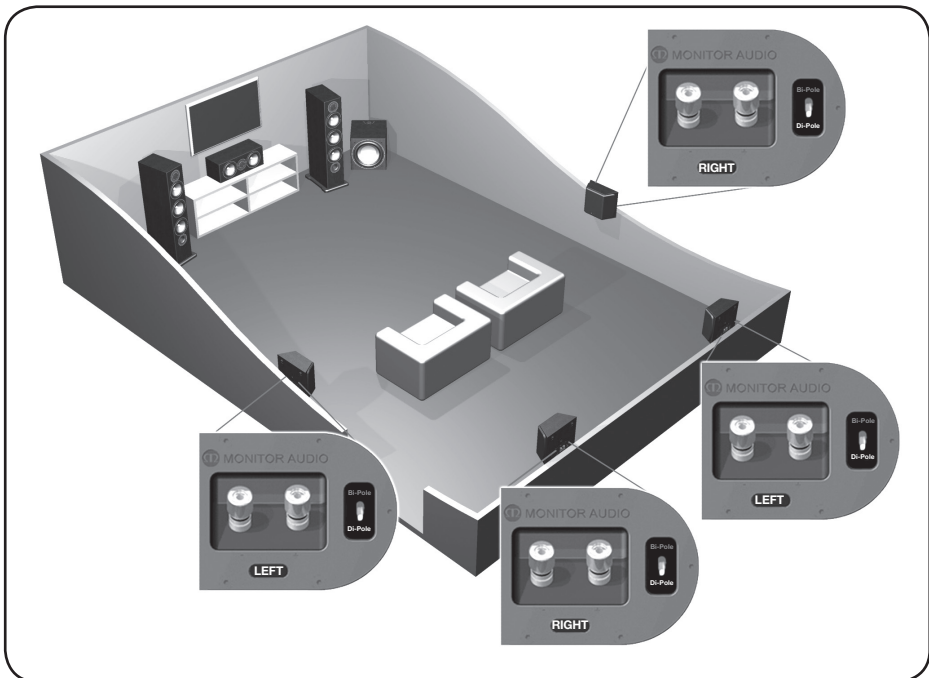
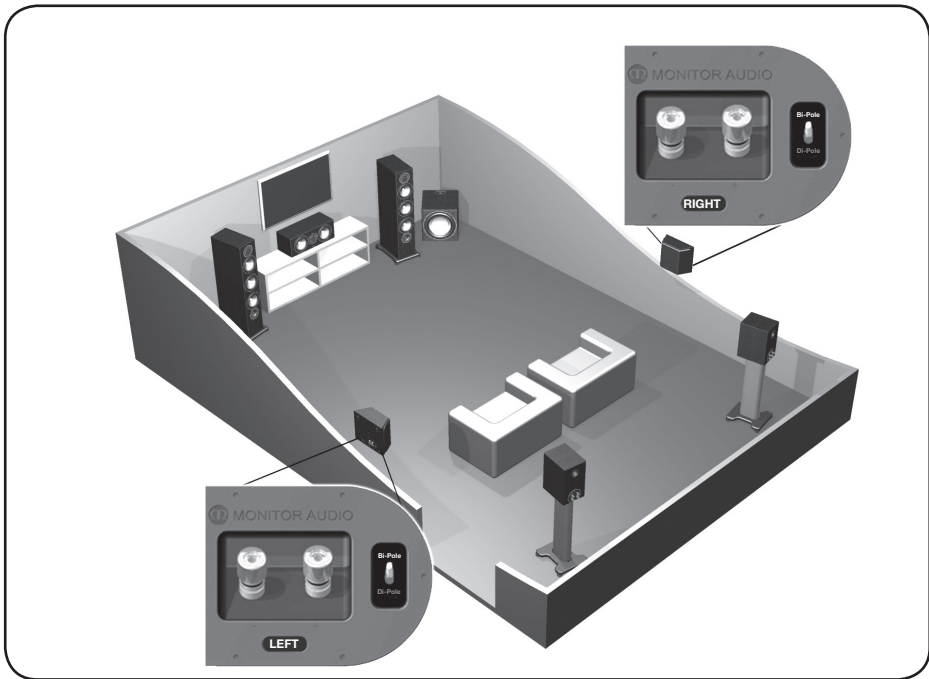
When playing music, if the sound is too bass heavy or there is bass boom from the room, then try moving the loudspeakers slightly further away from the wall(s). If this is not possible, then try the supplied port bungs (not included in the BX-FX or BX Centre). Refer to Page 10.

The BX Centre should be positioned so that it is pointing at you, in your viewing position, and at approximate ear height. If it is below or above ear height, use some rubber feet (small feet supplied) to angle it slightly.

The BX-FX's should be positioned in accordance with the below illustrations and approx 2 feet (60cm) above ear height when in your listening position.











**NOTE: When using 2 pairs of BX-FX in a 7.1 system, you need to use the RIGHT hand speaker for the rear surround left and the LEFT hand speaker for the rear surround right. This is because of the tweeter phasing.**

## 2 Channel Positioning

For use in a 2 channel system, the listening position and the loudspeakers should form an equilateral triangle. The speakers should be positioned approximately 6 - 10 feet (1.8 - 3m) apart. They ideally need to be between 8 - 18 inches (20 - 45cm) away from the rear and 3 feet (1m) from the side walls.

Experimentation is strongly advised when initially setting up your speakers, as environments and personal preference differ with each installation. If there is not enough bass, for example, then try moving your speakers closer to a wall. The opposite, if there is too much bass. Also see the information on page 10 referring to Port Bungs. If you are losing stereo imaging, try 'toeing' them in slightly. The sound should appear to originate from the centre point between the speakers, not the actual speakers themselves.

## SETTING UP THE BX-FX

The Bronze BX-FX's are paired, but specifically, right hand and left hand units. Of which both can be configured to bi-pole (normal operation) or di-pole modes. The factory setting is bi-pole.

In bi-pole mode, all speaker units (mid/bass unit and tweeters) are in phase. This feature is designed for when the BX-FX is set up as a rear/surround speaker in a typical 5.1 channel system, or alternatively in a 7.1 channel system without a second pair of BX-FX's for rear/surround duties.

In di-pole mode, the rear firing tweeters are out of phase with the other tweeter and mid/bass unit. It is best to implement this configuration when using the two pairs BX-FX as part of a 7.1 channel system, with the BX-FX's taking up positions on the side and rear walls. Please note that the BX-FX's are left and right handed. This is not an issue when used in bi-pole mode. It is essential that they are positioned correctly if used in a 7.1 channel system. Please refer to the positioning section on page 6.



**NOTE: Before changing your BX-FX's from bi-pole mode to di-pole mode, please ensure that the speaker wires are disconnected from your loudspeakers. This helps to protect your amplifier.**



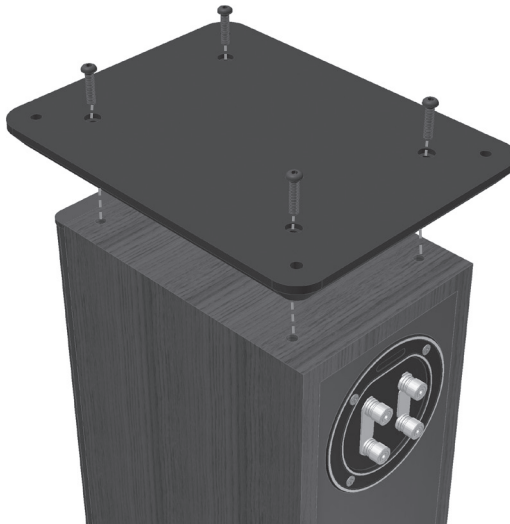


## PLINTH FIXING

(BX5 & BX6 only)

The Bronze BX5 & BX6's are provided with plinths to improve stability and acoustic response. The plinths are secured in place by using the supplied bolts.

Before you fit the plinth ensure the floor area is clear of any hard/sharp objects. To fit the plinth turn the cabinet over so that the bottom is facing upwards. Then, place the plinth onto the cabinet ensuring the plinth is orientated correctly, lining up the bolt holes in the plinth with the inserts in the cabinet. Using the bolts, secure the plinth to the cabinet. Tighten them up gradually at first and ensure the plinth is fitted securely to the cabinet. Fit the feet to the plinth before turning the loudspeaker back over. (Please read the instructions opposite). The spikes are used to improve sound quality and bass performance



## SPIKES AND FEET

The floorstanders from the Bronze BX Series come with spikes and separate rubber feet. The spikes are to be used on carpeted floors and the rubber feet for use on hard floors where spikes are not appropriate.

The spikes screw into the threaded inserts on the underside of the plinth. If you do not wish to use the plinth, spikes can be fixed directly into the bottom of the cabinet. Ensure there are no trailing cables where the speakers will be sited.



**NOTE: When used without the plinth the stability of the cabinet will be reduced because the cabinet footprint will be reduced.**

When used on hard floor, the rubber feet simply push into the same inserts that would usually be occupied by the spikes.





## GRILLES

All of the Bronze BX speakers come with grilles covered in acoustically transparent cloth. The grilles are held invisibly in place by magnets in both the grille and the cabinet (except BX-FX). They are contained within the separate card packaging.

To fit them, firstly ensure they are the correct way up (badge at the bottom) and offer them up to the cabinet. The magnets should then pull it into position.

The BX-FX comes with the grilles factory fitted. If you wish to remove them, carefully prize them away from the cabinet with the tips of your fingers. There are three separate grilles fitted to each BX-FX cabinet.



**CAUTION:** Do not lift or move the loudspeaker with the grilles fitted. If any movement needs to be done, please remove the grilles first.

## FIXING THE BX-FX TO A WALL



**CAUTION:** You will need to determine where the BX-FX will be fixed and the structure of the wall. For safety reasons, if you are unsure of your ability to provide a secure and safe fixing, do not attempt to fix these speakers to your wall, please obtain the services of a competent and qualified trades person.



**CAUTION:** Ensure that there are no water pipes or electricity cables running behind where the wall brackets are going to be secured. Work from secure steps and avoid trailing wires.

We do not supply wall fixing screws and plugs with the BX-FX. Please use suitable fixings for the type of wall construction the BX-FX's will be fixed to.

To fix your BX-FX's to the wall, we would recommend using the wall fixing template enclosed within the packaging carton.



## PORT BUNGS



**WARNING:** Care must be taken not to insert the port bungs too far into the port as this may result in the foam bung being lost inside the cabinet.

If the loudspeaker is to be used in a small room, typically 9 sqM (80 sqFT) or a room that is known to reproduce accentuated bass response, it may be desirable to fit the port bungs. However, before this is done it is worth experimenting with the positioning of the loudspeaker in the room. To reproduce the optimum performance from the loudspeaker it is important to make sure the loudspeaker is not positioned too close to a wall (typically 150mm / 6" from the back of the cabinet) or near corners of a room (typically 1M / 3FT).

If the room is larger than detailed above and no problems are known, please read point 1. If the positioning of the loudspeaker is predetermined by room aesthetics or layout, please move on and read point 2 for the BX1/ BX2 and point 3 for the BX5/ BX6.



Port bungs might not be necessary on the BX2 even if placed close to a rear wall due to the front firing port tube. Experimentation is still highly recommended though.

1. If you can adhere to the room characteristics detailed above we recommend that you do not fit the port bungs to achieve the best performance. However you may feel that by fitting the bungs even under these circumstances provides you with a degree of fine-tuning to suite particular taste. Experimentation is highly recommended.
2. Where a bookshelf/ stand-mount speaker with a rear firing port tube (BX1) is to be used in close proximity (2", 50mm) to a rear wall such as on a bookshelf, positioned in a cabinet or mounted on a wall, we recommend fitting the port bungs to the ports. This will reduce the bass 'boom' sometimes termed as overhang, and assist the loudspeaker to reproduce its best performance under the environmental constraints. 'Boom' is generally caused when bass energy from the loudspeaker 'excites' room modes and causes an accentuation at a particular frequency, or number of frequencies.
3. Where a floor-standing loudspeaker (BX5 & BX6) is to be used in close proximity (closer than 150mm 6") to a rear wall, we recommend fitting the port bungs. This will reduce the bass 'boom' sometimes termed as overhang and assist the loudspeaker to reproduce its best performance under these environmental constraints. This is caused when bass energy from the loudspeaker 'excites' room modes and causes an accentuation at a particular frequency, or number of frequencies.

Where the loudspeaker has two ports per speaker, BX5 and BX6, a further degree of fine-tuning is provided. In this case you have three options; to leave all the ports open (point 1), fit the port bungs to the rear ports or to fit a port bung to the front port. We recommend that you experiment with fitting the port bungs to the rear port or the front port in succession as the results can vary dependant on room acoustics and positioning. The overall bass extension will not be reduced, however the bass energy/ output around the port tuning frequency will be reduced. This has the effect of reducing bass 'boom' increasing bass clarity and apparent agility. Experimentation is highly recommended.





# SPECIFICATIONS

Model	BX1	BX2	BX5	BX6	BX-Centre	BX-FX
<b>System Format</b>	2 Way	2 Way	2 1/2 Way	2 1/2 Way	2 Way	2 Way
<b>Frequency Response</b>	55Hz - 30kHz	42Hz - 30kHz	37Hz - 30kHz	34Hz - 30kHz	60Hz - 30kHz	65Hz - 30kHz
<b>Sensitivity (1w @ 1m)</b>	88dB	90dB	90dB	90dB	90dB	88dB
<b>Nominal Impedance</b>	8 Ohms	8 Ohms	8 Ohms	8 Ohms	8 Ohms	8 Ohms
<b>Power Handling (RMS)</b>	70W	100W	120W	150W	120W	80W
<b>Recommended Amp Requirements</b>	15 - 70W	30 - 100W	30 - 120W	40 - 150W	20 - 120W	20 - 80W
<b>Bass Alignment</b>	Bass reflex - rear ported, HiVe® port System	Bass reflex - Front ported, HiVe® port System	Dual Chamber, bass reflex, front and rear ported, Twin HiVe® port System	Dual Chamber, bass reflex, front and rear ported, Twin HiVe® port System	Sealed Cabinet	Sealed Cabinet
<b>Crossover Frequency</b>	3.2kHz	3.2kHz	LF: -6dB @ 400Hz MF/HF: 3.2kHz	LF: -6dB @ 600Hz MF/HF: 3.4kHz	3.2kHz	2.2kHz
<b>Drive unit Complement</b>	1 x 5.5" C-CAM® Bass/Mid driver. 1 x 1" (25mm) C-CAM® gold dome tweeter	1 x 6.5" C-CAM® Bass/Mid driver. 1 x 1" (25mm) C-CAM® gold dome tweeter	1 x 5.5" C-CAM® Bass driver. 1 x 5.5" C-CAM® Bass/Mid driver. 1 x 1" (25mm) C-CAM® gold dome tweeter	2 x 6.5" C-CAM® Bass driver. 1 x 6.5" C-CAM® Bass/Mid driver. 1 x 1" (25mm) C-CAM® gold dome tweeter	2 x 5.5" C-CAM® Bass/Mid driver. 1 x 1" (25mm) C-CAM® gold dome tweeter	1 x 5.5" C-CAM® Bass/Mid driver. 2 x 1" (25mm) C-CAM® gold dome tweeters
<b>External Dimension H x W x D (mm)</b>	260 x 166 x 180	350 x 185 x 255	850 x 166 x 248 (868 x 215 x 282 Inc Plinth)	985 x 186 x 315 (1003 x 253 x 350 Inc Plinth)	166 x 460 x 166	274 x 276 x 100 (118 deep Inc grille and bracket)
<b>Plinth Dimensions H x W x D (inch)</b>	10 1/4 x 6.9/16 x 10 1/16	13 3/4 x 7.5/16 x 10 1/16	33 7/16 x 6.9/16 x 9.3/4 (34.3/16 x 8.7/16 x 11 1/8 Inc Plinth)	38 3/4 x 7.5/16 x 12.3/8 (39.3/4 x 9.1/4 x 13 3/4 Inc Plinth)	6 9/16 x 18 1/8 x 6 1/2	10 13/16 x 10 7/8 x 3 15/16 (4.5/8 deep Inc grille and bracket)
<b>Weight (each) Kg (lb)</b>	3.86 (8.5)	5.84 (12.8)	11.82 (26)	17.96 (39.5)	6.18 (13.6)	3.62 (8)





## OWNER INFORMATION

### **Product Details**

Model .....

Product Serial No .....

Date of Purchase .....

### **Dealer Details**

Dealer Name .....

Address .....

.....

e-mail address .....

Telephone Number .....

Monitor Audio reserves the right to alter specifications without notice.

For the 5 years manufacturer's warranty and to be entered into our monthly prize draw, please visit the online registration form at: **[www.monitoraudio.co.uk](http://www.monitoraudio.co.uk)**





Monitor Audio Ltd.

24 Brook Road

Rayleigh, Essex

SS6 7XJ

England

Tel: +44 (0)1268 740580

Fax: +44 (0)1268 740589

Email: [info@monitoraudio.co.uk](mailto:info@monitoraudio.co.uk)

Web: [www.monitoraudio.co.uk](http://www.monitoraudio.co.uk)

**Designed in the United Kingdom**

© 2010. Version 1.1